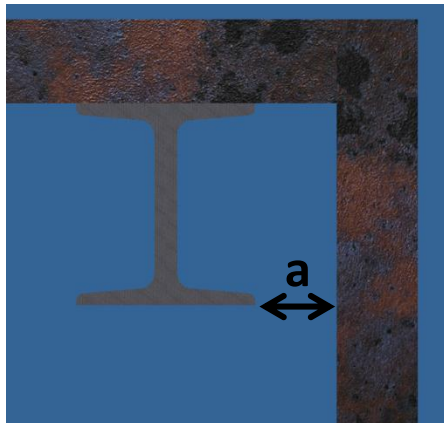


BASIC RULES FOR DESIGN OF COMPONENTS

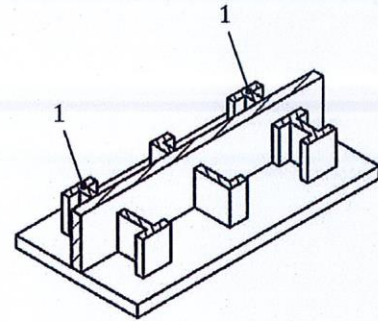
IS THERMAL SPRAY POSSIBLE?

- Distance
- All-round access of the surface
- Blind spots
- Safety

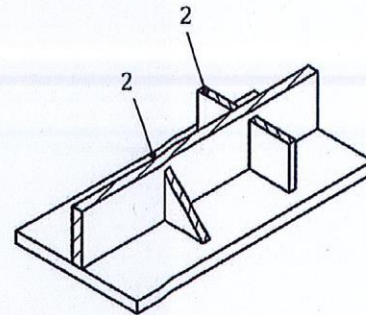


BASIC RULES FOR DESIGN OF COMPONENTS

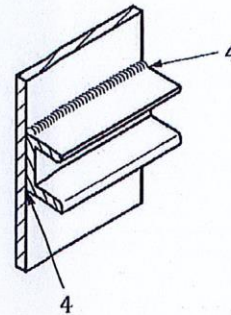
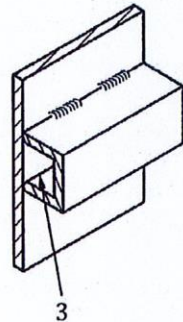
IS THERMAL SPRAY POSSIBLE?



bad



good



- 1 Small section stiffeners or small U beams or channels are to be avoided.
- 2 Flat steels are to be preferred.
- 3 Shall be avoided, as far as the interior of the U beam had been corrosion protected prior to welding.
- 4 Continuous welds, smooth and cleaned of slag and weld spatter are to be preferred.