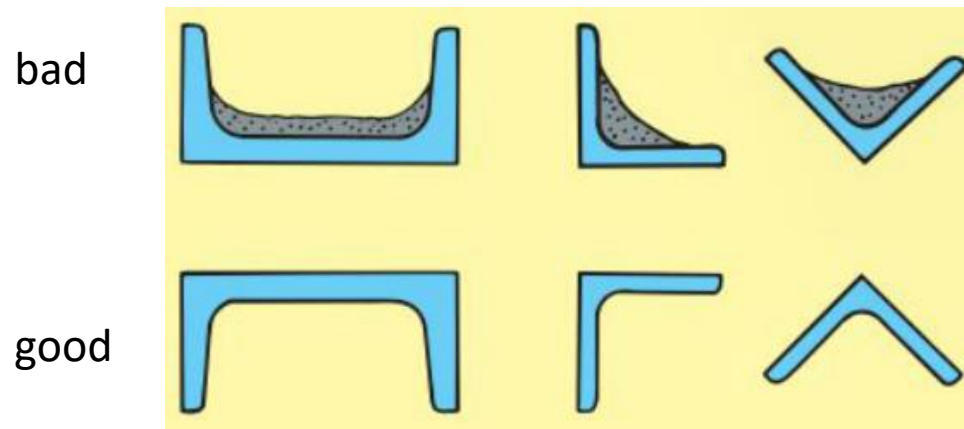


**BASIC RULES FOR DESIGN OF COMPONENTS**

IS THE DESIGN CORROSION FRIENDLY?

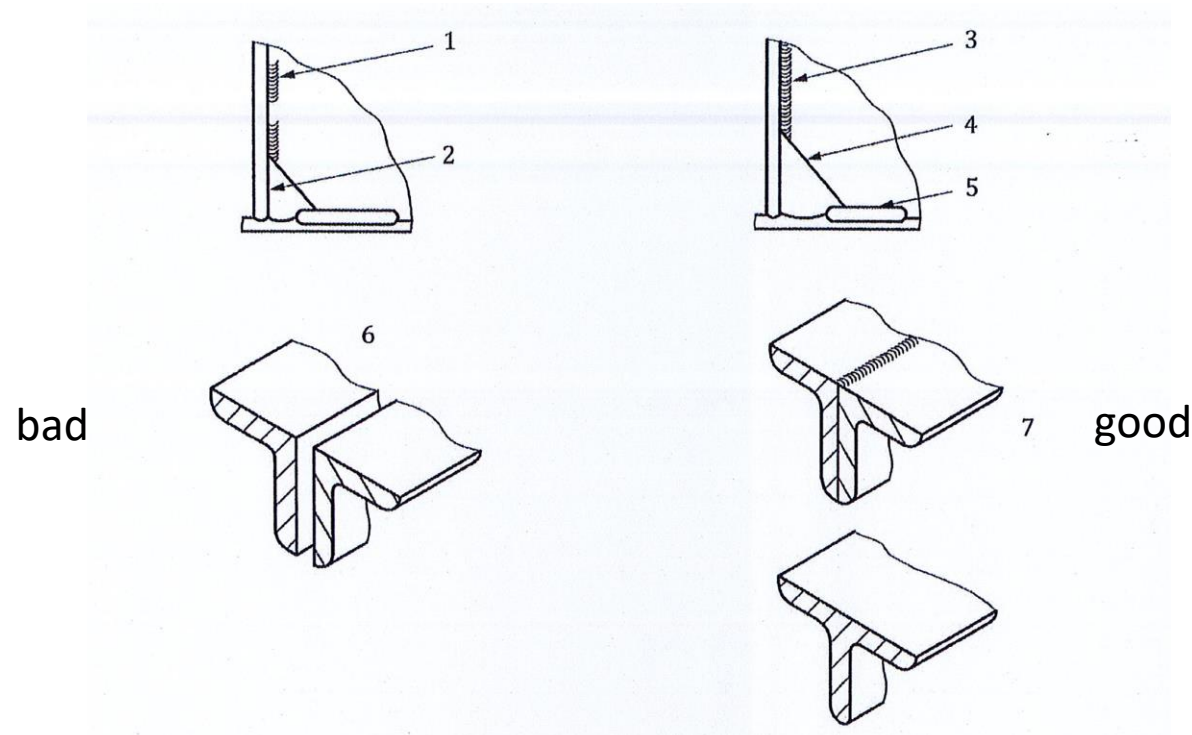
Engineering design must be in accordance with the EN ISO 2063:2017 part 1, in particular with:

- Tasks against deposit of water
- Assembly
- Transport



**BASIC RULES FOR DESIGN OF COMPONENTS**

IS THE DESIGN CORROSION FRIENDLY?



bad

good

- 1 Intermittent stiffener welds are to be avoided.
- 2 Stiffening plate close to the flange corner shall be avoided because the gap cannot be coated sufficiently.
- 3 Continuous weld to be preferred.
- 4 Long snipe to give access is to be preferred.
- 5 Packing well away from the weld is to be preferred.
- 6 Back-to-back angles are to be avoided because the gap cannot be coated sufficiently.
- 7 Continuous welds or similar section T-bars are to be preferred.